

- Features : Elevator, Industrial Machine



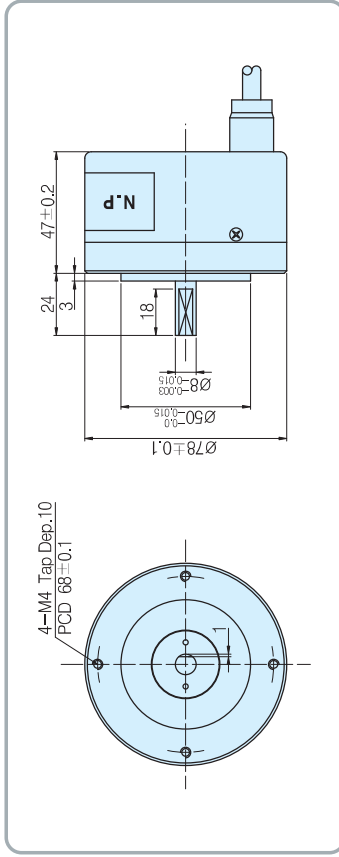
Model

INCREMENTAL
SHAFT TYPE

Resolution (P/R) 0512
Shaft Size 8 : Ø8
Outer Diameter Ø78

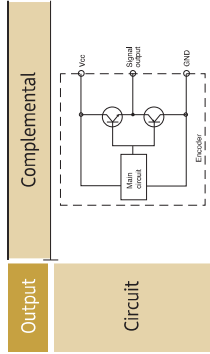


External Dimension



Note) The spec. of power may be different depending on the type of output and be sure to check the electric spec.

Output Circuit



Electrical Spec.

Output type	Complemental
Power Supply	DC +5[V] Ripple: p<less than 5%
Consuming Current (In case of no load)	150mA Max
Maximum Response Frequency	150 KHz
Output voltage	Less than V _i 0.5[V] / More than V _i 10[V]
Output current	Less than 10mA
Rising, decline time	Less than 1µs
Common conditions	In case that the cable length of output side is 10[M] and load resistance is less than 1[kΩ]

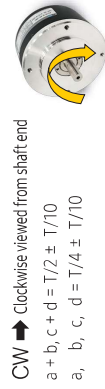
Mechanical Spec.

Starting Torque	100gf - cm Max
Maximum number of revolution	5,000 rpm
Bearing lifetime	500,000 [hr] (In case of rotating by 5000rpm)
Allowable Shaft Load	Radial : 3.0kg Max Axial : 1.5kg Max
Position deflection of allowable shaft	Radial : Less than 0.05 mm Axial : Less than 0.2mm
Connection Table	3F(AWG26) Shield CABLE
weight	400g

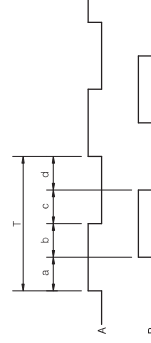
Rigid Spec.

Operating Temp. Range	-10°C ~ +70°C (No freezing)
Preserving temp	-20°C ~ +85°C
Using humidity	35% ~ +85% RH
Preserving Humidity	35% ~ +90% RH
Internal Vibration	5G
Internal Shock	100G
Degree of Protection	IP 50

Output Phase Shift



Complemental



Connection Table

Cable's Color	Output Signal
Output Form	Complemental
Red	Vcc
Black	GND
Green	A Sig
Yellow	B Sig
Shield	CASE Shield