

- Features : Small size and various resolution
200~1024P/R(4 Class), Widingranging power voltage
Customized design, Prompt delivery

Model

INCREMENTAL
SHAFT TYPE

Outer Diameter Ø30

Shaft Size
5 : Ø5

KS30 - 5 -

Resolution(P/R)	0200	0500	1000	1024
-----------------	------	------	------	------

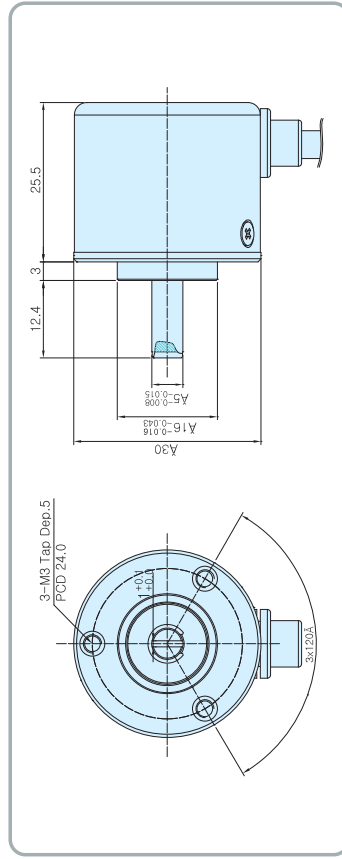
Output Signal	B : A, B Z : A, B, Z U : A, A, B, B V : A, A, B, B, Z, Z
---------------	---

Output Form	O : Open Collector V : Voltage Output L : Line Driver
-------------	---

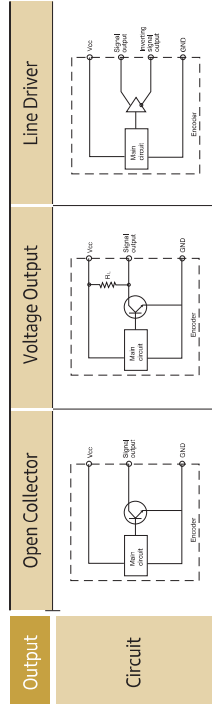
Cable Length	1 : 1[M] 2 : 2[M] 3 : 3[M] 5 : 5[M] 10 : 10[M]
--------------	--

Note) The spec of power may be different depending on the type of output and be sure to check the electric spec.

External Dimension



Output Circuit



Electrical Spec.

Output type	Open Collector	Voltage Output	Line Driver
Power Supply	DC +5[V] ~ +15[V] Ripple:p-less than 5%	DC +5[V] ~ +15[V] Ripple:p-less than 5%	DC +5[V] Ripple:p-less than 5%
Consuming Current (In case of load)	70mA Max	70mA Max	150mA Max
Maximum Response Frequency	150 KHz (200 ~ 1024 P/R)		
Output voltage	Less than V (0.5[V] More than V, 2.5[V] In case of inputting +5[V], More than V, 10[V] In case of inputting +15[V])	Less than 20mA	Less than 20mA
Output current	Less than 3µs	Less than 3µs	Less than 0.1µs
Rising, decline time	In case that the cable length of output side is 1[M] and load resistance is less than 1[KΩ]		
Common conditions			

Mechanical Spec.

Starting Torque	50gf ~ cm Max
Maximum number of revolution	3000 rpm
Bearing lifetime	20,000(hr) In case of rotating by 3000rpm
Allowable Shaft Load	Radial : 1.8kg Max Axial : 0.9kg Max
Position deflection of allowable shaft	Radial : Less than 0.05 mm Axial : Less than 0.2mm
Connection Table	4PIAW(G2.6) Shield CABLE
weight	120g

Rigid Spec.

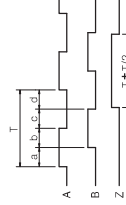
Operating Temp. Range	-10°C ~ +70°C (No freezing)
Preserving temp	-20°C ~ +85°C
Using humidity	35% ~ +85% RH
Preserving Humidity	30% ~ +90% RH
Internal Vibration	5G
Internal Shock	50G
Degree of Protection	IP 50

Output Phase Shift

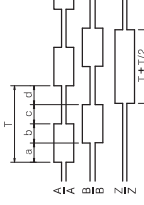


CW → Clockwise viewed from shaft end
a + b, c + d = T/2 ± T/8
a, b, c, d = T/4 ± T/8

Open Collector, Voltage Output



Line Driver



Connection Table

Cable's Color	Output Signal
Open Collector Voltage Output	Line Driver
Red	Vcc
Black	GND
Green	A Sig
Blue	A Sig
White	B Sig
Pink	B Sig
Yellow	Z Sig
Orange	Z Sig
Shield	CASE Shield