

# MBR-1000 SERIES

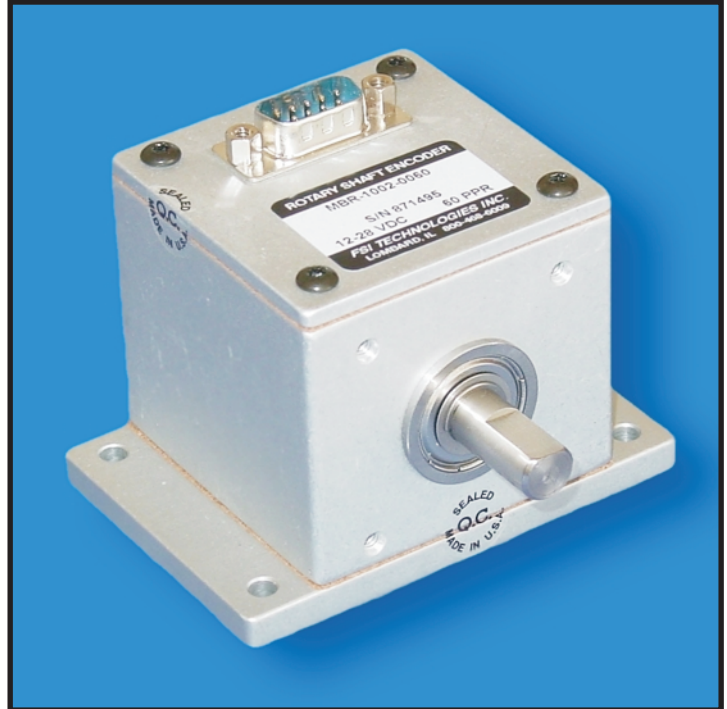
## Optical Incremental Shaft Position Encoder

### FEATURES

- Single or Quadrature Output
- High Noise Immunity
- Short Circuit Protection
- Reverse Polarity Protection
- Input Voltage Range 12-28 VDC
- Single Ended 3/8" S/S Shaft
- Infrared LED and SMD Circuitry
- Heavy Duty Chrome Steel Bearings
- Low Power Consumption

### APPLICATIONS

- Speed Controls
- Robotics
- Machine Tools
- Cut to Length
- Position Control
- Index Tables



### SPECIFICATIONS

#### Input

Voltage: 12-28 VDC  
Current: 35 ma. @ 15 VDC typical

#### Output

Squarewave 50/50 duty cycle  
0 - 10,000 pulses/sec.

\* Please consult factory for details and technical bulletins.

#### Mechanical

Housing: Rugged anodized aluminum.

Shaft Rotation: Either direction

Shaft speed: 6000 RPM max. \*

Bearings: Heavy duty chrome steel

Load: 30 lbs. radial \*

10 lbs. Axial \*

### DESCRIPTION

The MBR-1000 Series optical shaft encoder represents a major price - performance breakthrough. It utilizes IRED light sources and precision mechanical components to provide long life and durability. It is available with single channel or quadrature output and can be used to derive RPM, feet per minute and angular position. When used with simple controls, material can be cut to length and over and under speed conditions detected. The MBR-1000 package with its easy mounting and standardized

connector is designed to meet the demands of industry and its price, the goals of the OEM. Over four decades of engineering and manufacturing experience is embodied in every "MBR". FSI is committed to manufacturing quality products and providing complete customer satisfaction!



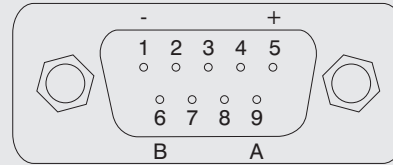
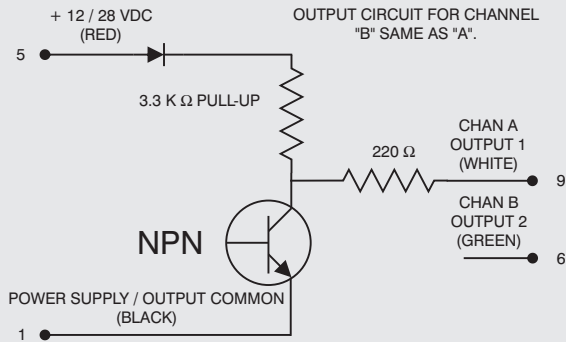
**FSI Technologies Inc.**

668 Western Ave. • Lombard, IL 60148-2097

(630) 932-9380 • FAX: (630) 932-0016

www.fsinet.com

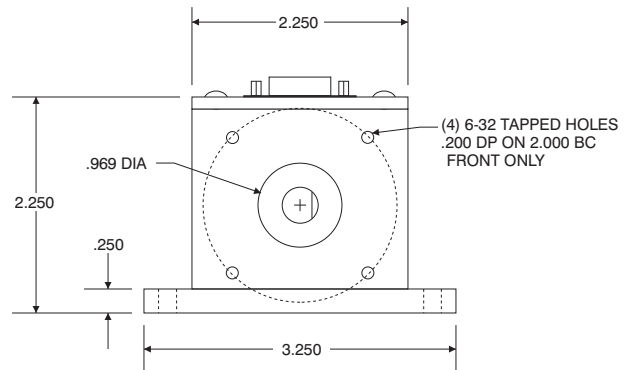
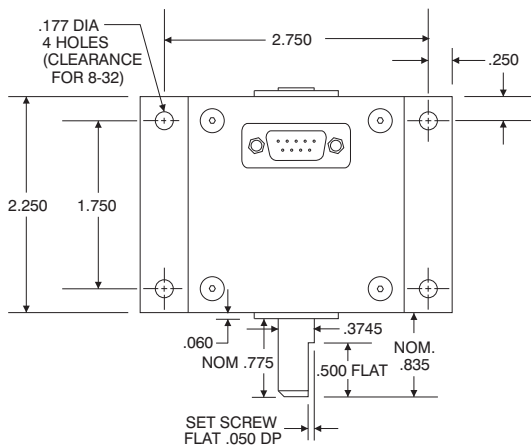
## WIRING INFORMATION



VIEW OF THE CONNECTOR ON THE ENCODER.

"B" CHANNEL IS PRESENT ONLY ON QUADRATURE VERSIONS  
COLORS REFER TO FSI D-1 SERIES CABLE, IF USED.

## MECHANICAL INFORMATION



## ORDERING INFORMATION

MBR - 1 0 0 X - X X X X

1 = Single Channel

2 = Dual Channel Quadrature

0060, 0100, 0120, 0360, 0600, (PPR) ONLY

FSI has a full line of measuring wheels, connectors, cables, couplings, and other accessories available.

OVER 700 DISTRIBUTORS WITHIN NORTH AMERICA TO SERVE YOU



**FSI Technologies Inc.**

668 Western Ave. • Lombard, IL 60148-2097

(630) 932-9380 • FAX: (630) 932-0016

www.fsinet.com

© 2006 FSI Technologies Inc. All rights reserved.

Bulletin # 2980-0098-01

Printed in U.S.A. by FSI Press